

ILLUSTRATED PARTS LIST

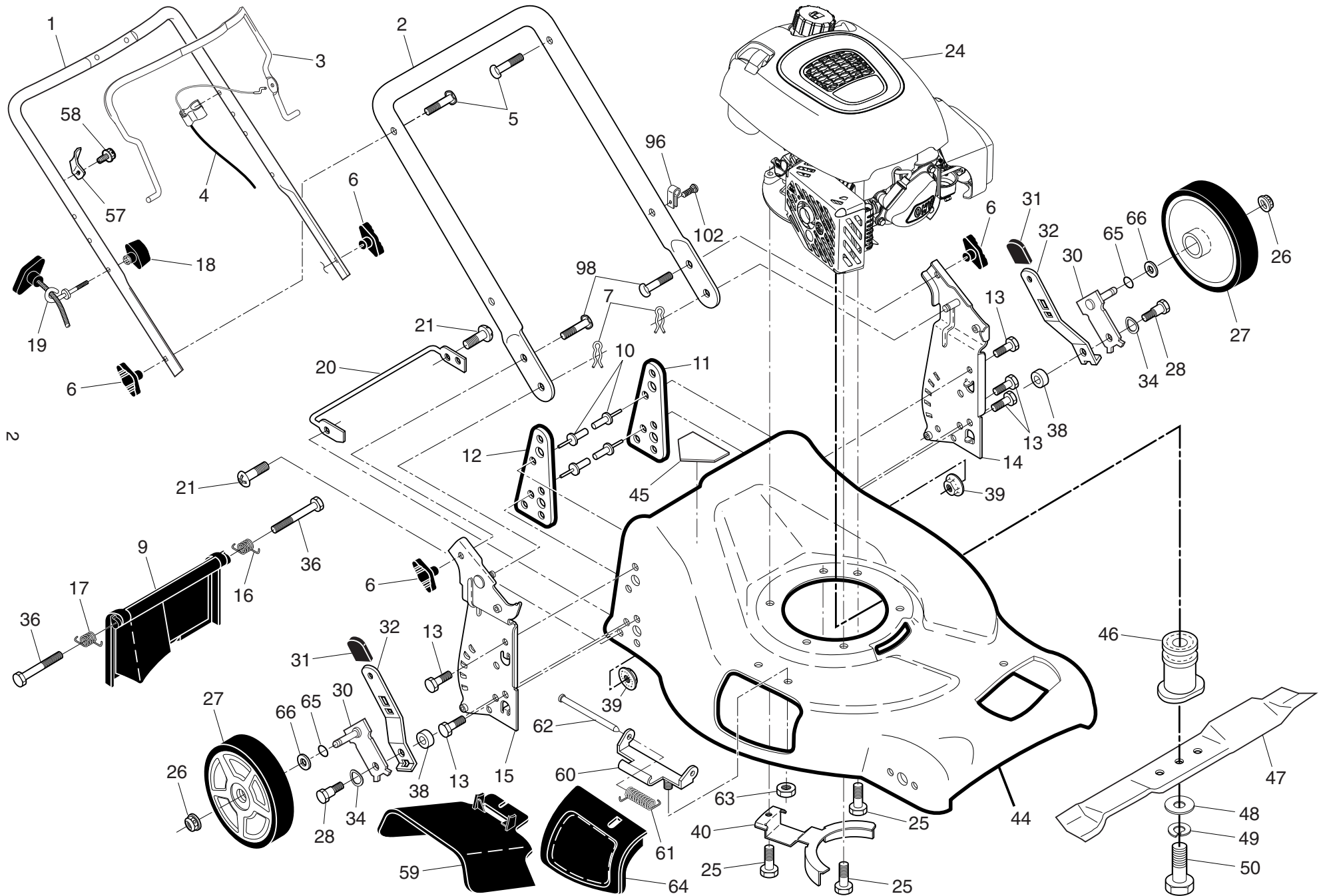
BRAND: McCULLOCH

ROTARY LAWN MOWER

MODEL NUMBER: M51-150F

MFG. ID. NUMBER: 96141031000

McCULLOCH ROTARY LAWN MOWER - - MODEL NUMBER M51-150F (MFG. ID. NUMBER 96141031000)

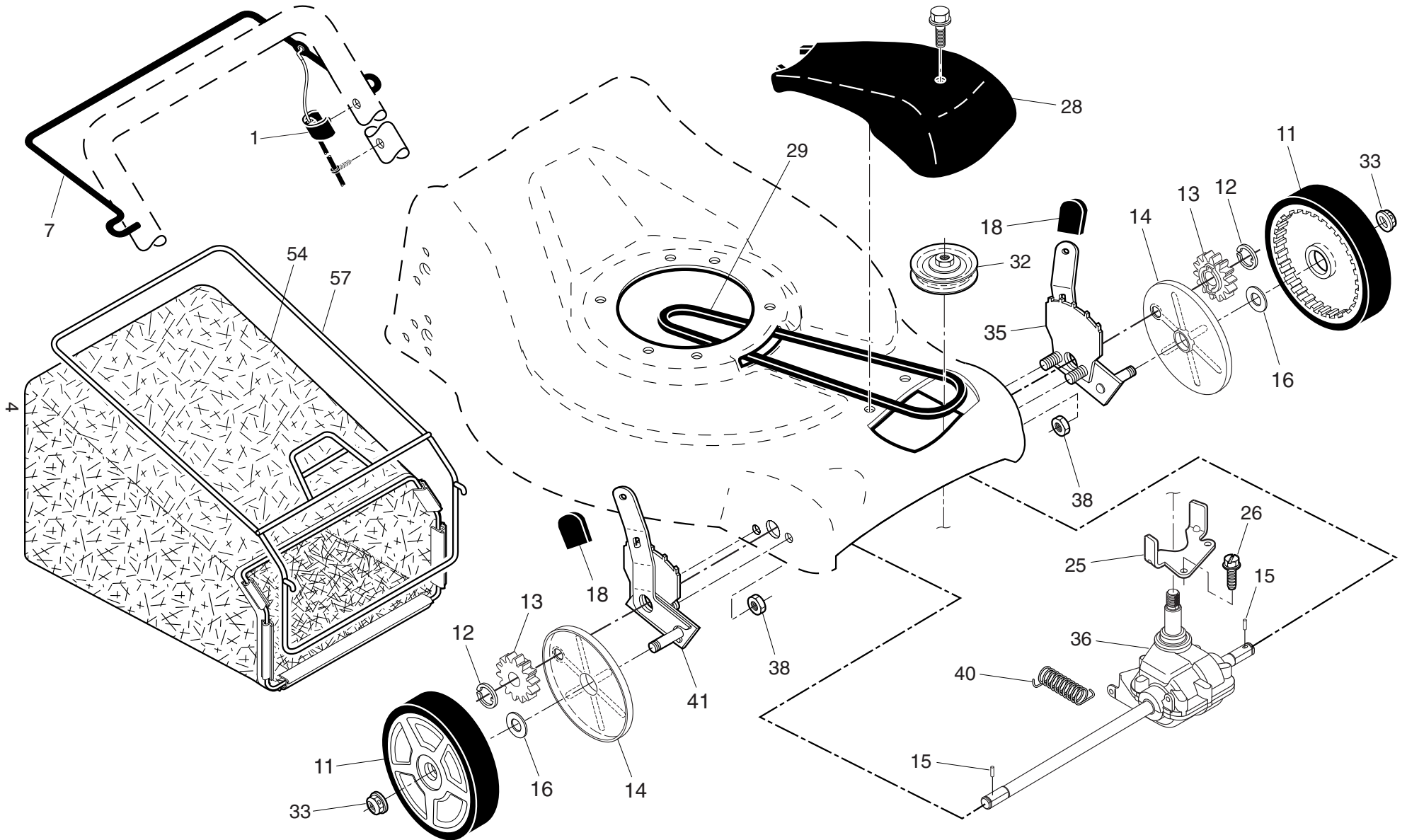


McCULLOCH ROTARY LAWN MOWER - - MODEL NUMBER M51-150F (MFG. ID. NUMBER 96141031000)

KEY NO.	PART NO.	DESCRIPTION	KEY NO.	PART NO.	DESCRIPTION
1	532 42 77-38	Upper Handle	36	532 18 41-93	Bolt
2	532 43 45-14	Lower Handle	38	532 40 16-29	Spacer
3	581 80 20-01	Control Bar	39	532 15 53-77	Nut, Hex, Flanged 5/16-18
4	532 42 09-39	Engine Zone Control Cable	40	532 43 50-59	Belt Keeper
5	532 19 15-74	Handle Bolt	44	532 40 92-65	Kit, Lawn Mower Housing (Includes Key Numbers 10, 11, 12 and 45)
6	532 19 19-38	Handle Knob	45	532 18 21-66	Danger Decal
7	532 05 17-93	Hairpin Cotter	46	581 36 71-01	Blade Adapter / Pulley
9	532 40 69-85	Rear Door	47	532 19 93-77	Blade, 21"
10	532 12 84-15	Pop Rivet	48	532 85 10-74	Hardened Washer
11	532 41 05-40	Support Bracket, LH	49	532 85 02-63	Washer, Lock, Helical Spring
12	532 41 05-42	Support Bracket, RH	50	532 85 10-84	Screw, Machine, Hex Head, Grade 8, 3/8-24 x 1-3/8
13	817 06 04-10	Screw 1/4-20 x 5/8	57	532 43 00-34	Upstop Bracket
14	532 43 45-63	Handle Bracket Assembly, LH	58	532 17 88-48	Screw, Hex Washer Head #10-16 x 5/8
15	532 43 45-62	Handle Bracket Assembly, RH	59	532 17 50-71	Deflector, Discharge
16	532 40 54-17	Spring, Rear Door, LH	60	532 17 57-35	Hinge Bracket
17	532 40 54-18	Spring, Rear Door, RH	61	532 19 30-00	Hinge Spring
18	581 91 26-01	T-Knob	62	532 17 56-50	Hinge Rod
19	581 90 21-01	Rope Guide	63	873 80 04-00	Nut, Hex
20	532 43 61-19	Foot Guard, C.E.	64	532 17 50-66	Mulcher Door
21	817 49 04-16	Screw, Tapping 1/4-20 x 1/2	65	532 19 74-80	O-Ring
24	588 84 35-06	Engine, Complete, RV150, Model Number 10100-Z180310 (For engine service and replacement parts, call HOP, Inc. at 1-800-487-5951)	66	532 08 83-48	Washer, Flat
25	532 15 04-06	Screw, Hex Head, Threaded, Rolled 3/8-16 x 1-1/8	96	532 19 79-91	Clip, Cable
26	532 40 91-48	Hex Flange Nut	98	586 21 25-01	Bolt, Carriage
27	581 00 94-05	Wheel & Tire Assembly, Rear	102	532 42 81-24	Fastener, Push
28	532 40 16-38	Shoulder Bolt 5/16-18 x .33	--	581 00 67-01	Bag of Parts (Includes Key Numbers 6 and 98)
30	532 41 21-74	Axle Arm Assembly, Rear	--	532 18 21-91	Decal, Warning (not shown)
31	532 08 78-77	Selector Knob	--	115 78 62-20	Operator's Manual, European
32	532 41 08-88	Selector Spring	--	115 78 62-10	Operator's Manual, Scandinavian
34	532 40 16-30	Washer, Curved, Cylindrical	--	115 78 62-50	Operator's Manual, East Bloc
			--	115 78 62-40	Operator's Manual, Baltic
			--	115 78 62-53	Operator's Manual, Ukranian

NOTE: All component dimensions given in U.S. inches. 1 inch = 25.4 mm. **IMPORTANT:** Use only Original Equipment Manufacturer (O.E.M.) replacement parts. Failure to do so could be hazardous, damage your lawn mower and void your warranty.

McCULLOCH ROTARY LAWN MOWER - - MODEL NUMBER M51-150F (MFG. ID. NUMBER 96141031000)



McCULLOCH ROTARY LAWN MOWER - - MODEL NUMBER M51-150F (MFG. ID. NUMBER 96141031000)

KEY NO.	PART NO.	DESCRIPTION	KEY NO.	PART NO.	DESCRIPTION
1	588 47 92-02	Drive Control Assembly, with Cable	28	532 43 26-63	Drive Cover Assembly (Includes Mounting Screw and Palnut)
7	532 19 84-53	Control Bar, Drive	29	532 19 41-49	V-Belt
11	581 00 92-05	Wheel & Tire Assembly, Front (Driven)	32	586 98 97-01	Drive Pulley
12	812 00 00-58	E-Ring	33	532 40 91-48	Locknut
13	532 40 38-49	Pinion Assembly	35	532 43 81-51	Wheel Adjuster, LH (Includes Bearing)
14	581 84 04-01	Dust Cover	36	532 40 48-33	Gearcase Assembly, Complete
15	532 40 48-45	Pawl, Drive	38	873 80 04-00	Locknut, Hex 1/4-20
16	532 06 77-25	Washer 1/2 x 1-1/2 x .134	40	532 40 65-58	Spring
18	532 08 78-77	Selector Knob	41	532 43 81-48	Wheel Adjuster, RH (Includes Bearing)
25	532 43 17-11	Belt Keeper	54	580 95 34-04	Grassbag
26	532 16 34-09	Screw, Hi-Lo Thread #12 x 5/8	57	532 41 19-50	Frame, Grassbag

5

NOTE: All component dimensions given in U.S. inches. 1 inch = 25.4 mm. **IMPORTANT:** Use only Original Equipment Manufacturer (O.E.M.) replacement parts. Failure to do so could be hazardous, damage your lawn mower and void your warranty.